



Electric range with Gastronorm oven



CE 1051 VTR.

Electric cooker, 5 radiant rings,
1 Gastronorm 1/1 electric oven.

- Body and front in stainless steel.
- Stainless steel legs with adjustable feet. Height: 150/175 mm.
- Total power: 15.0 kW.
- Electrical supply: three-phase 400 V + N + E.

Hob

- Dimensions: 1000 x 650 mm.
- 1 x 3.5 kW square plate, 300 x 300 mm.
- 2 rings, 2 circuits 1.4 kW/2.1 kW, 210 mm.
- 2 x 2.1 kW rings, Ø 210 mm.

Storage cupboard.

Oven

- Interior dimensions: W 530 - D 400 - H 305 mm.
- Power of heating elements:
Base + periphery roof: element: 3.1 kW - Grill: 2.85 kW.
- Thermostat.
- Standard equipment: 1 oven rack.

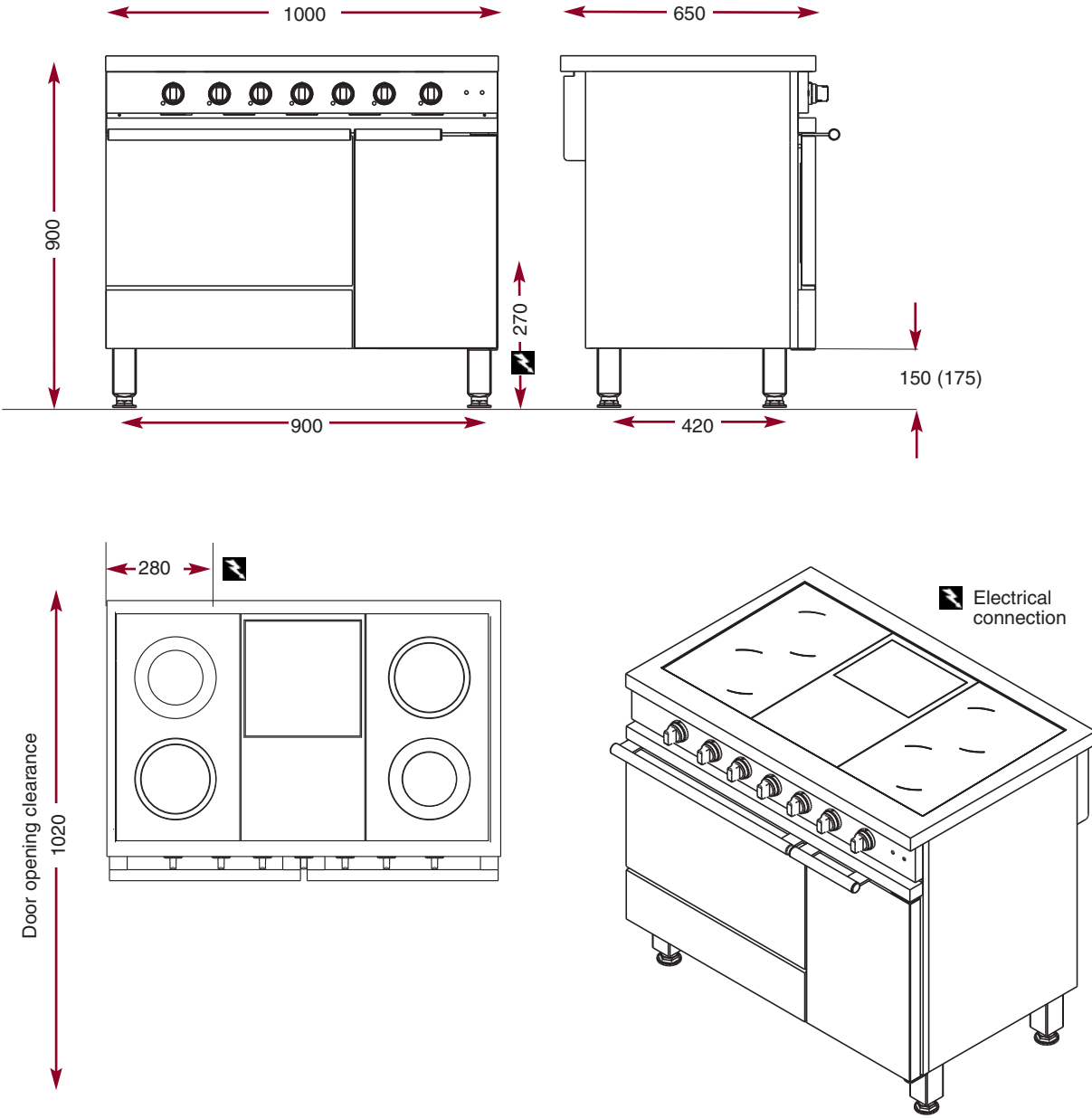
CE 1051 VTR W 1000 - D 650 - H 900

Variations:

OVEN	(instead of static electric oven)
SFCT 530	1 convection oven (3.4 kW)*
SGE 530	Electric grill (in convection oven)
ET 001	Warming cupboard
SAM AG	Reversed cupboard position (on left)
ECH 400	Shelf supports for storing Gastronorm 1/1 dishes

* Electrical supply: 400V + N + E only.

5 radiant rings, 1 Gastronorm 1/1 electric oven. CE 1051 VTR



The Chef's Choice.

N° 23 - 2